

# INTERNATIONAL INDIAN SCHOOL, DAMMAM

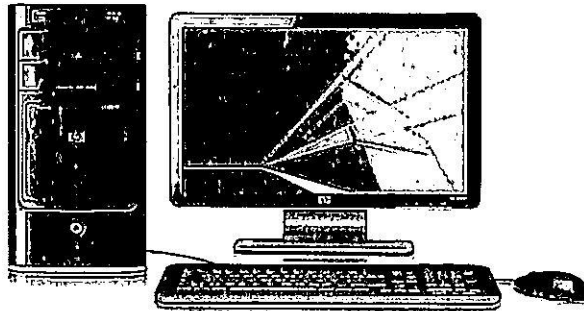
CLASS II

COMPUTER SCIENCE

WORKSHEET-1

NAME: \_\_\_\_\_ ROLL NO: \_\_\_\_\_ SEC \_\_\_\_\_ DATE: \_\_\_\_\_

## COMPUTER - A Smart Machine



A computer is a very useful machine. We can listen to music, watch movies, type, play games, draw and solve sums with the help of a computer.

The parts of a computer need electricity to work. Hence, a computer is called an **electronic machine**.

## HUMANS AND COMPUTERS

<u>COMPUTERS</u>	<u>HUMANS</u>
<input type="checkbox"/> WORKS VERY FAST	<input type="checkbox"/> WORKS SLOW
<input type="checkbox"/> DOES NOT MAKE A MISTAKE	<input type="checkbox"/> CAN MAKE MISTAKES
<input type="checkbox"/> NEVER GETS TIRED	<input type="checkbox"/> GETS TIRED AFTER SOME TIME
<input type="checkbox"/> VERY GOOD MEMORY	<input type="checkbox"/> CAN FORGET THE INFORMATION
<input type="checkbox"/> DOES NOT HAVE FEELINGS	<input type="checkbox"/> HAVE FEELINGS
<input type="checkbox"/> CANNOT TAKE DECISIONS	<input type="checkbox"/> CAN TAKE DECISIONS

**1. Write T (True) or F ( False).**

1. A computer works very slow.

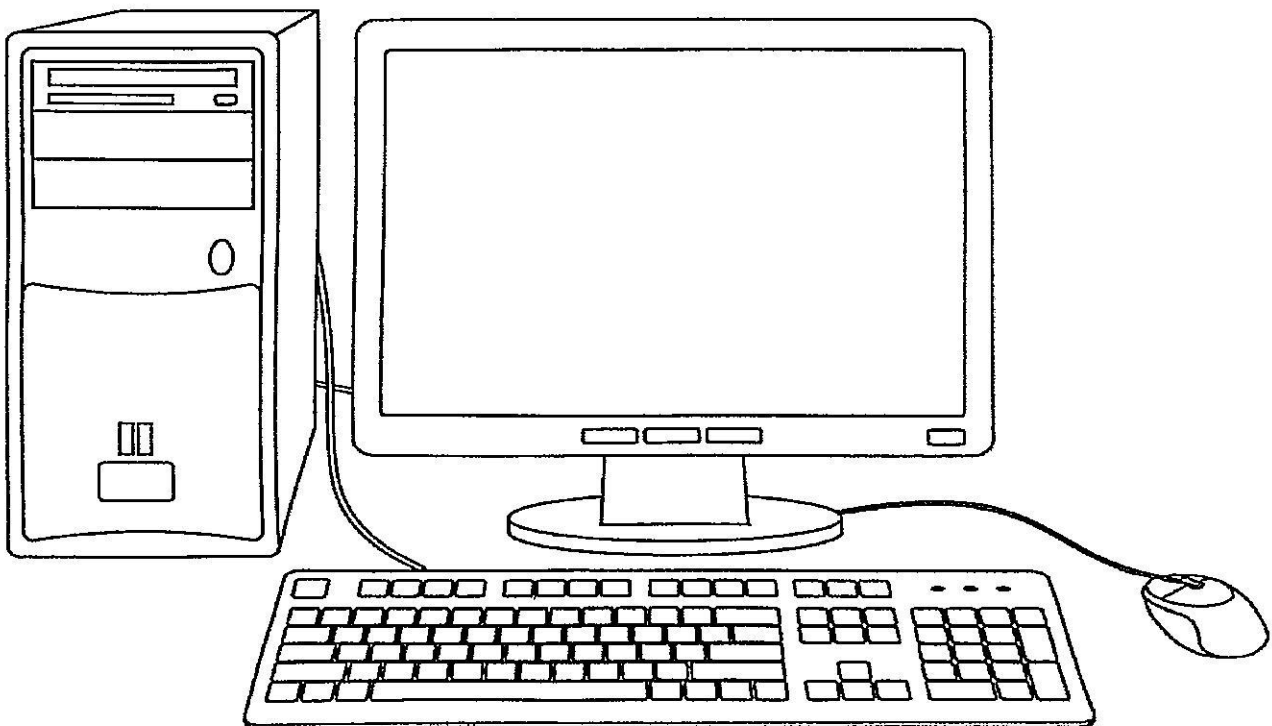
2. A computer can take decisions.

3. Humans can make mistakes.

4. Humans does not have feelings.

5. A computer gets tired after some time.

**2. Colour the picture.**



Teacher's Signature: \_\_\_\_\_

\*\*\*\*\*

# INTERNATIONAL INDIAN SCHOOL, DAMMAM

CLASS II

COMPUTER SCIENCE

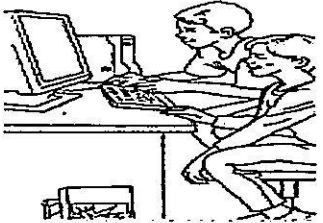
WORKSHEET- 2

NAME: \_\_\_\_\_ ROLL NO: \_\_\_\_\_ SEC \_\_\_\_\_ DATE: \_\_\_\_\_

## Computer and Its Uses

A computer is a very useful machine. You can see computers in schools, homes, offices, hospitals, and several other places. The computer helps us in many ways :

### In Schools



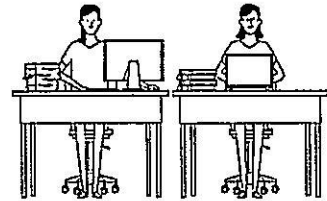
The teacher prepares report cards and worksheets, stores students' records, and uses it as a teaching aid.

### In Homes



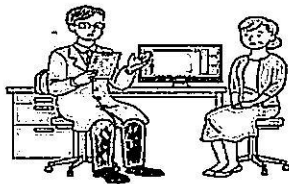
To do your homework, listen to music, watch movies, play games, and purchase items.

### In Offices



Typing and printing documents, keeping records of official data and letters, and sending and receiving messages.

### In Hospitals



For keeping records of patients.

### In Railways and Airlines



For Online booking of ticket. Keep track of trains and airplanes.

### In Shops



For storing data, price lists, calculating and printing bills.

**I. State True or False.**

- a) We cannot watch movies on a computer. \_\_\_\_\_
- b) A computer helps in booking tickets. \_\_\_\_\_
- c) Computers are used in offices as teaching aids. \_\_\_\_\_

**II. Choose the correct answer from the brackets and fill in the blanks.**

(patients, bank, draw)

- a) Computers are used in \_\_\_\_\_ to keep records of money.
- b) Computers are used in hospitals to keep records of \_\_\_\_\_.
- c) You can \_\_\_\_\_ pictures on a computer.

**III. Match the following.**

1	Book Tickets	School	
2	Teaching Aids	To Prepare Bills	
3	To withdraw money	Railways	
4	Hotels and Shops	Bank	

Teacher's Signature : \_\_\_\_\_

# INTERNATIONAL INDIAN SCHOOL, DAMMAM

CLASS II


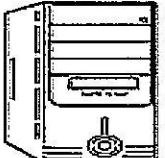

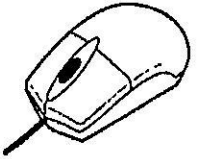
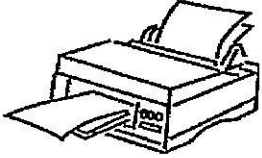
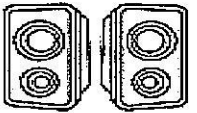


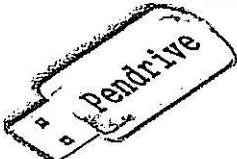
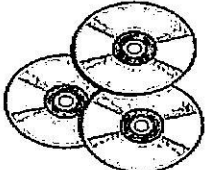
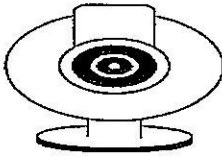
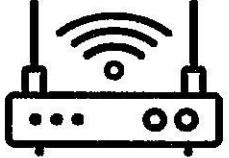
COMPUTER SCIENCE

WORKSHEET-3

NAME: \_\_\_\_\_ ROLL NO: \_\_\_\_\_ SEC \_\_\_\_\_ DATE: \_\_\_\_\_

## PARTS OF A COMPUTER

A computer has four main parts: Monitor, C.P.U, Keyboard and Mouse. All of them together make a computer system.

<p><u>MONITOR</u></p> <p>It looks like a television. It is used to display the result on the screen.</p>		<p><u>CPU</u></p> <p>CPU is the brain of the computer. It is present inside the CPU box.</p>	
<p><u>KEYBOARD</u></p> <p>It is used for typing letters, numbers and special characters on the computer.</p>		<p><u>MOUSE</u></p> <p>Mouse is known as a pointing device. It is used to draw pictures and select objects on the computer screen.</p>	
<p><u>PRINTER</u></p> <p>It is used to get result on a paper.</p>		<p><u>SPEAKER</u></p> <p>It is used to listen to recorded music, songs, speech or other sounds.</p>	
<p><u>MICROPHONE</u></p> <p>It is used to record voice, music, and other sounds into the computer.</p>		<p><u>HEADPHONES</u></p> <p>It is used to hear sound generated by a computer without disturbing others.</p>	
<p><u>PEN DRIVE</u></p> <p>A pen drive is used to store or share documents, video, audio, etc</p>		<p><u>CD/DVD</u></p> <p>A CD is round in shape. It is used to listen to music, watch movies and play video games.</p>	
<p><u>WEBCAM</u></p> <p>It is used to capture photographs and store them on a computer.</p>		<p><u>MODEM</u></p> <p>It is used to connect a computer to the Internet.</p>	

**I. State True or False.**


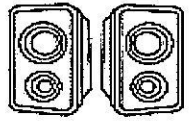
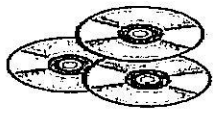


- 1. A CD is square in shape. \_\_\_\_\_
- 2. A mouse is used to point and select an object. \_\_\_\_\_
- 3. A standard keyboard has 104 keys. \_\_\_\_\_

**II. Choose the correct answer from the brackets and fill in the blanks.**

**(microphone, CPU, TV)**

- 1. A monitor looks like a \_\_\_\_\_.
- 2. \_\_\_\_\_ is known as the brain of the computer.
- 3. A \_\_\_\_\_ is used to record your voice and different sounds in a computer.

**III. Match the parts of a computer with their pictures.**

1	Microphone		
2	Printer		
3	Speaker		
4	CD/DVD		
5	Keyboard		

Teacher's Signature: \_\_\_\_\_

# INTERNATIONAL INDIAN SCHOOL, DAMMAM

## CLASS-II COMPUTER SCIENCE REVISION WORKSHEET TERM-1 2024-2025

(Computer - A Machine, Computer and its Uses & Parts of a Computer)

NAME:	DATE:	
CLASS : II	SEC:	ROLL NO:

### I. Choose the correct answer from the help box:

patients	Computer	schools	microphone	Printer
----------	----------	---------	------------	---------

- a) \_\_\_\_\_ is used to print documents and images.
- b) \_\_\_\_\_ does not have feelings.
- c) Computers are used in hospitals to keep records of \_\_\_\_\_.
- d) A \_\_\_\_\_ is used to record your voice and different sounds in a computer.
- e) Computers are used in \_\_\_\_\_ as teaching aids.

### II. Match the following:

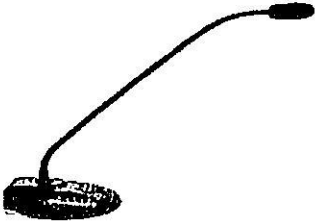
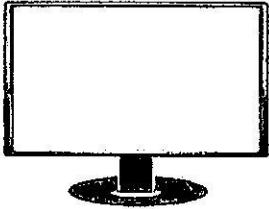
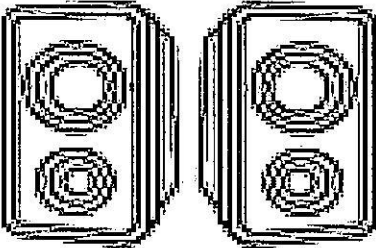
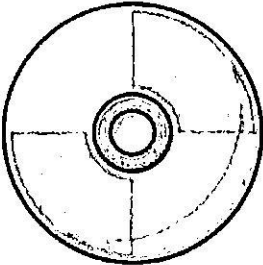
a)	To withdraw money	Railways	
b)	Standard keyboard	Bank	
c)	Book tickets	104 keys	
d)	Pointing device	CPU	
e)	Brain of a computer	Mouse	

### III. State True or False.

- a) A computer can take decisions. \_\_\_\_\_
- b) A mouse is used to point and select items on the screen. \_\_\_\_\_

IV. Name the following keys using the help box:

Speaker	CD	Monitor	Microphone
---------	----	---------	------------

1.		_____
2.		_____
3.		_____
4.		_____

\*\*\*\*\*